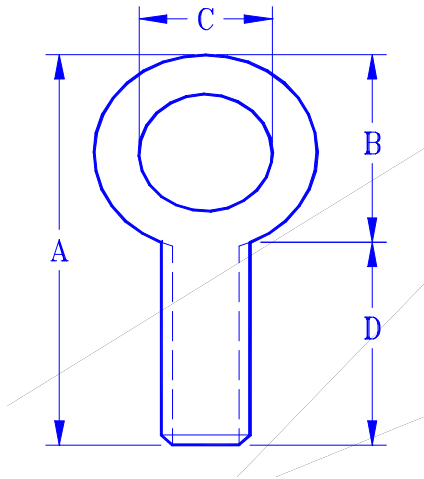
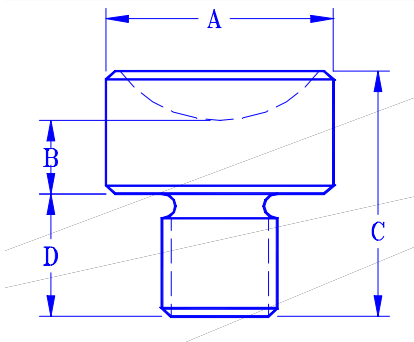


Accessories

Eye Bolts (mm)

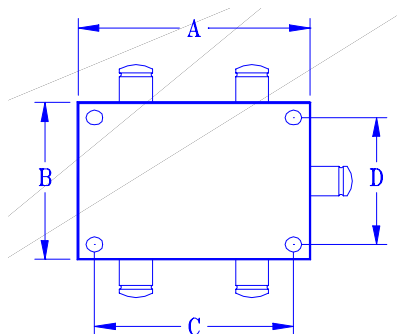


Size	A	B	C	D	Safe Static load rating Kg / (lbs)
Metric Metric Metric Metric Metric					
M8 x P1.25	48	33	20	15	600 (1320)
M12 x P1.75	72	50	29	22	1500 (3300)
M20 x P2.5	102	72	39	30	4000 (8800)
M20 x P1.5	102	72	39	30	4000 (8800)
M24 x P2.0	128	90	49	38	6000 (13200)
Avoirdupois Avoirdupois Avoirdupois					
3/8"-24 UNF	59	41	25	18	1000 (2200)
1/2"-20 UNF	72	50	29	22	1500 (3300)
3/4"-16 UNF	102	72	39	30	4000 (8800)
1-1/4"-12	155	110	58	45	10000 (22000)



Load Receiver (mm)

Size	A	B	C	D
Metric Metric Metric				
M8 x P1.25	25	5	37	26
M12 x P1.75	25	9	30	15
M20 x P2.5	25	9	30	15
Avoirdupois Avoirdupois				
1/2"-20 UNF	25	9	30	15
3/4"-16 UNF	25	9	30	15
1"-14 UNS	31.5	11	55	37



Junction Box (mm)

Size	A	B	C	D
4 L/C	110	110	95	95
8 L/C	220	145	210	115