

SUN SCALE



SJ Load Cell

- Alloy Steel construction
- Capacities from 1 Ton to 5 Ton
- 2 mv/v output
- Metric fine threads, Japan standard
- Single cell application

SPECIFICATIONS

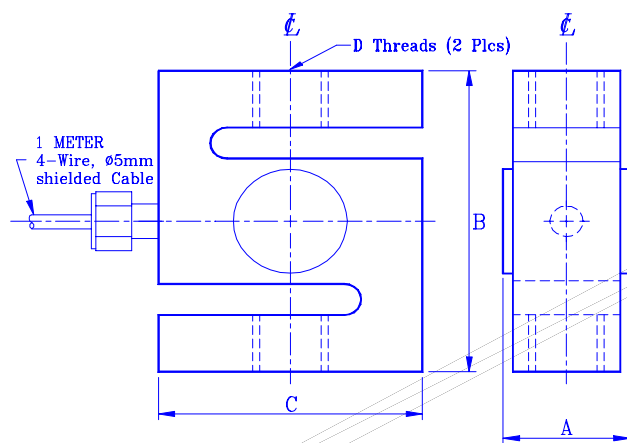
Accuracy Class (max. number of intervals)	C1 (1000)	C2 (2000)	C3 (3000)
Rated Capacities	1T, 2T, 5T		
Combined Error (% of R.O.)	0.035	0.025	0.017
Non-Repeatability (% of R.O.)	0.015	0.010	0.010
Minimum Division Size (v min., % of R.O.)	0.030	0.015	0.010
Temperature Coefficient			
Output (ppm/ °C, of load)	16	10	5
Zero (ppm/ °C, of R.O.)	42	21	14
Creep Return (% of load, 30 Min.)	0.050	0.025	0.017
Rated Output (mv/v)	2 ± 5% (± 0.25% optional)		
Zero Balance (% of R.O.)	± 2		
Excitation (Volt)	10 recommended, 15 Max.		
Input Impedance (Ω)	385 ± 10		
Output Impedance (Ω)	350 ± 1%		
Operating Temperature Range (°C)	-40 to +60		
Environmental Protection (DIN)	IP 65		
Safe Overload (% of R.O.)	150		
Deflection (mm, @ Rated Capacity)	0.34, 0.28, 0.35		

Note: Special cable length and calibrated output optional.

Example for Order Number: **SJ-5T-C3**, **SJ**: load cell type, **5T**: capacity in ton,

C3: accuracy class, OIML Class C 3000 divisions.

DIMENSIONS



Wiring Code: (Tension)

- +Input Red
- Input Black
- +Output White
- Output Green

Unit: mm

Capacity	A	B	C	D
1T	27	100	75	M18*P1.5
2T	27	100	75	M18*P1.5
5T	39	100	75	M24*P2.0