

SUN SCALE



STS Avoirdupois Load Cell

- **Stainless Steel** construction
(except 20k and 40k models)
- Capacities from 100 to 40,000 lbs
- 3 mv/v output
- Avoirdupois fine threads, USA standard

SPECIFICATIONS

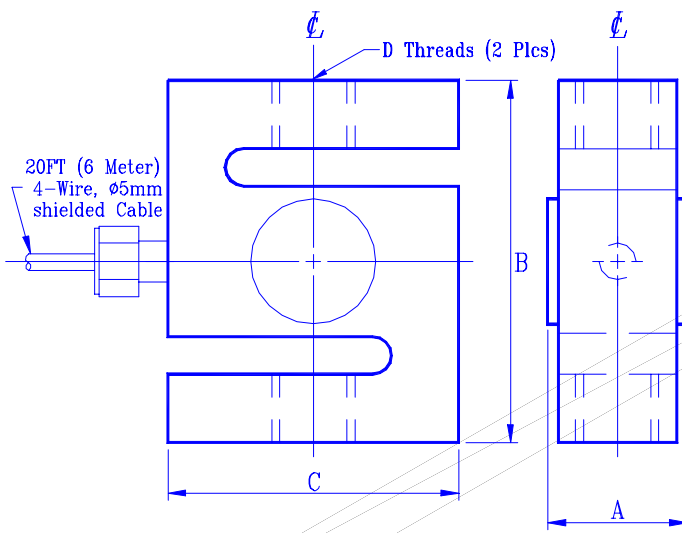
Accuracy Class, NTEP (max. number of intervals)	A1 (1000)	A3 (3000)	B10 (10000)
Rated Capacities (pounds)	100, 200, 300, 500, 1k, 2k, 3k, 5k, 10k, 20k, 40k		
Combined Error (% of R.O.)	0.035	0.025	0.025
Non-Repeatability (% of R.O.)	0.015	0.010	0.010
Minimum Division Size (v min., % of R.O.)	0.030	0.010	0.007
Temperature Coefficient			
Output (ppm/ °C, of load)	15	7	7
Zero (ppm/ °C, of R.O.)	42	14	10
Creep (% of load, 60 Min.)	0.067	0.050	0.050
Rated Output (mv/v)	3 ± 0.25%, except 2 for 100 lbs and 40k models		
Zero Balance (% of R.O.)	± 2		
Excitation (Volt)	10 recommended, 15 Max.		
Input Impedance (Ω)	385 ± 10		
Output Impedance (Ω)	350 ± 1%		
Operating Temperature Range (°C)	-40 to +60		
Environmental Protection (DIN)	IP 65		
Safe Overload (% of R.O.)	150		
Deflection (Inch, @ Rated Capacity)	0.01, 0.01, 0.01, 0.01, 0.01, 0.01, 0.01, 0.02, 0.02, 0.02, 0.03, 0.04		

Example for Order Number: **STS-5K-B10**, **STS**: load cell type, **5K**: capacity in pounds (5000 lbs),
B10: accuracy class, NTEP Class IIIIL, 10,000 divisions.

DIMENSIONS

Wiring Code: (Tension)

- +Input Red
- Input Black
- +Output White
- Output Green



Inches (mm)

Capacity (lbs)	A	B	C	D
100, 200, 300	0.68 (17.2)	2.50 (63.5)	2.00 (50.8)	3/8-24
500, 1K	0.93 (23.6)	2.50 (63.5)	2.00 (50.8)	1/2-20
2K, 3K	1.18 (29.9)	3.00 (76.2)	2.00 (50.8)	1/2-20
5K	1.18 (29.9)	4.00 (101.6)	3.00 (76.2)	3/4-16
10K	1.68 (42.7)	4.00 (101.6)	3.00 (76.2)	3/4-16
20K	2.20 (56)	7.00 (177.8)	4.90 (125)	1-1/4"-12
40K	2.62 (66.5)	10.0 (254)	5.94 (151)	1-1/2"-12